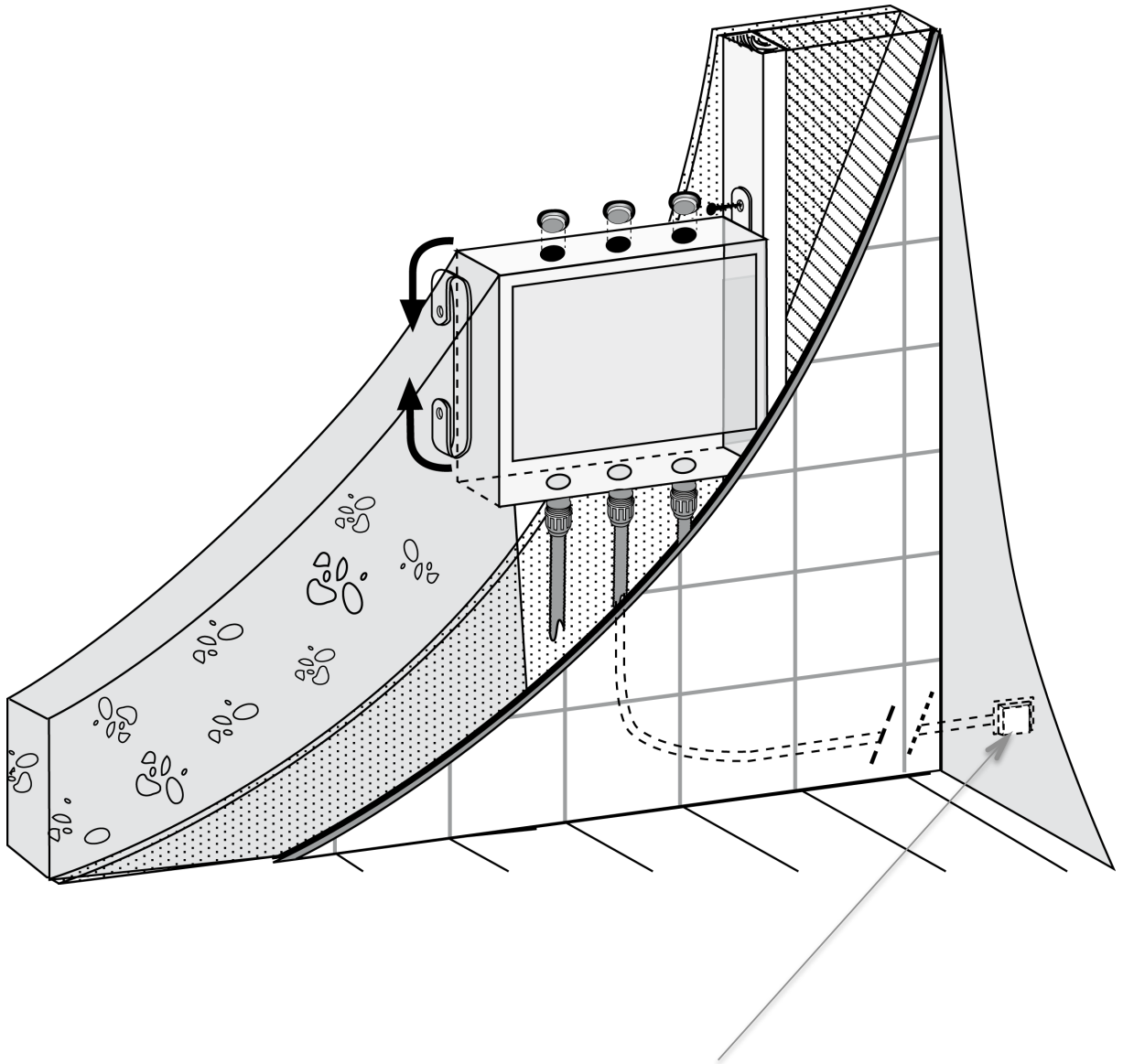


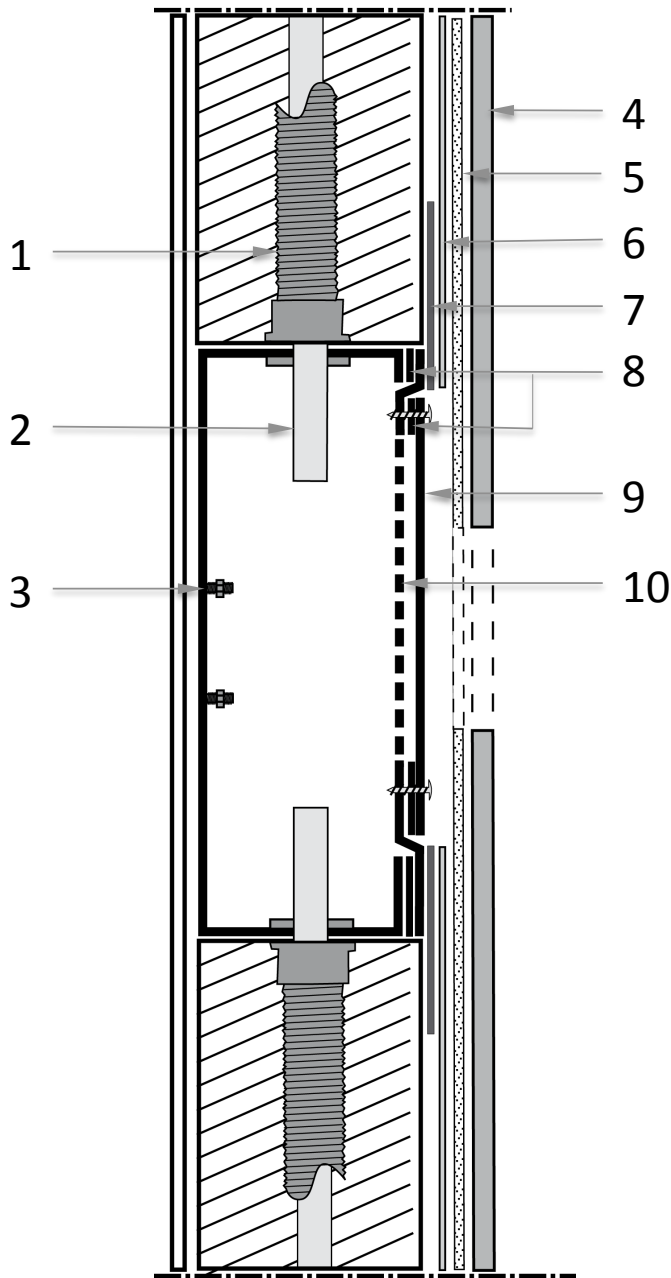
- | | |
|-----------------------|-------------------------------------|
| 1. Case | 5. Water tight plug |
| 2. Service hatch | 6. Mounting rail |
| 3. Front plate | 7. Faucet body mounting bolts |
| 4. Water pipe bushing | 8. Coverplate for leakage indicator |

BOX300 Installation instructions



Locate the leakage indicator outlet out of the shower area.

BOX300 Installation instructions

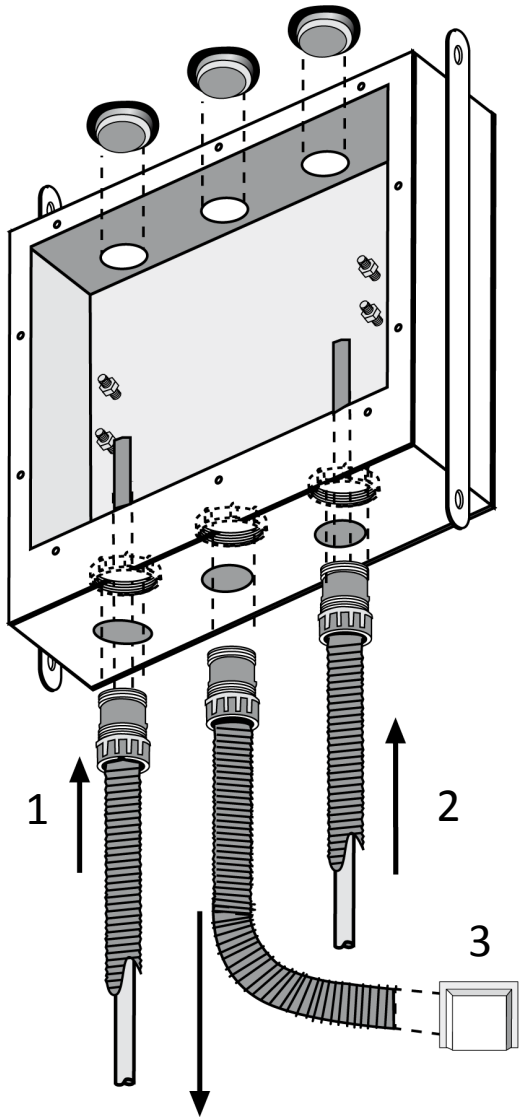


- | | |
|------------------------------|---------------------------------------|
| 1. Casing | 6. Waterproofing agent |
| 2. Water pipe | 7. Expansion joint reinforcement tape |
| 3. Faucet body mounting bolt | 8. Gasket tape |
| 4. Wall surface material | 9. Service hatch |
| 5. Mortar | 10. Front plate |

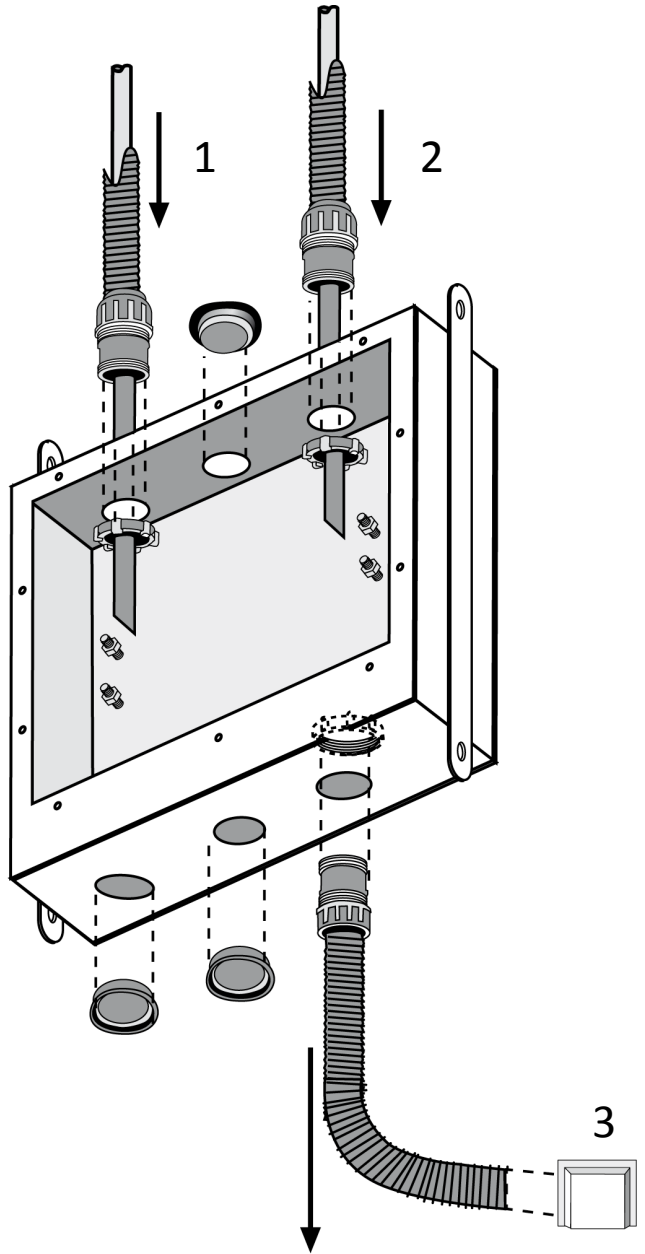
BOX300 Installation instructions



Connecting pipes from bottom



Connecting pipes from top



1. Hot water
2. Cold water
3. Leakage indication