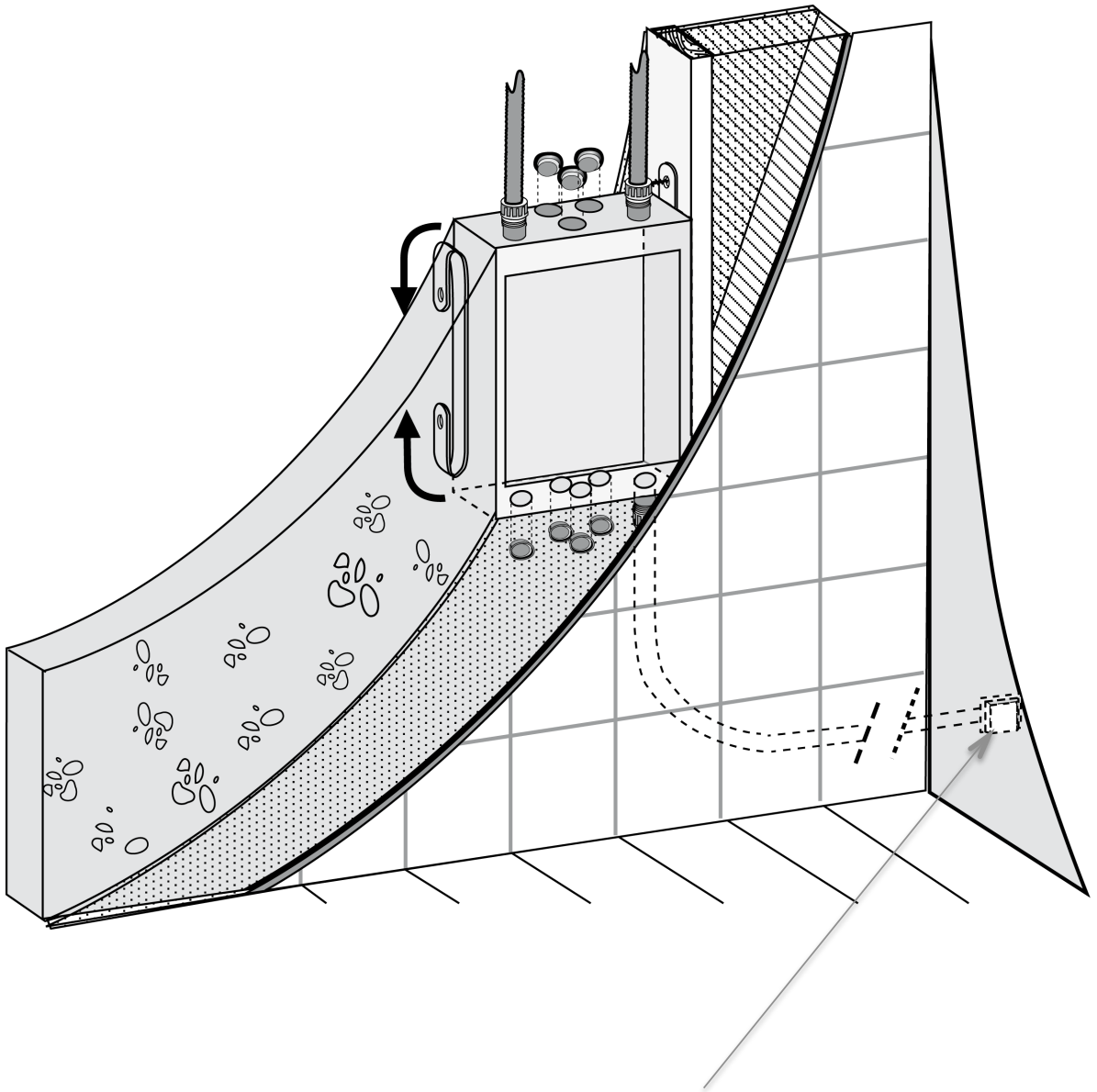


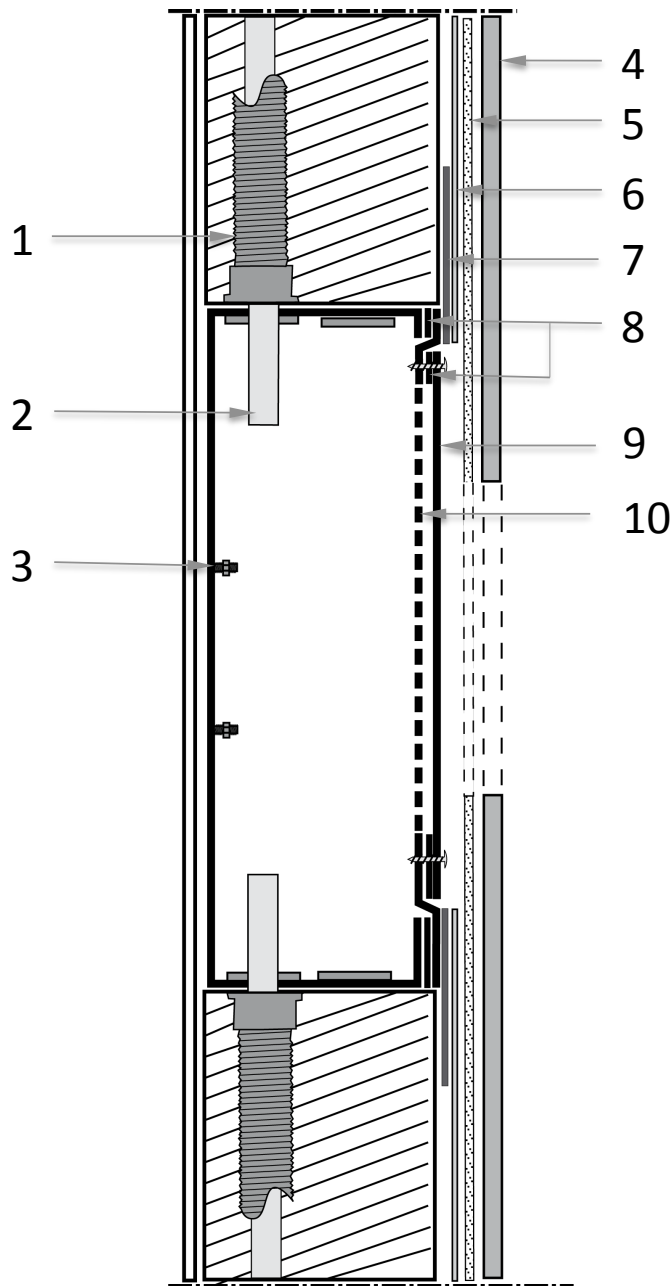
- |                       |                                     |
|-----------------------|-------------------------------------|
| 1. Case               | 5. Water tight plug                 |
| 2. Service hatch      | 6. Mounting rail                    |
| 3. Front plate        | 7. Faucet body mounting bolts       |
| 4. Water pipe bushing | 8. Coverplate for leakage indicator |

# BOX300 Installation instructions



Locate the leakage indicator outlet out of the shower area.

# BOX300 Installation instructions

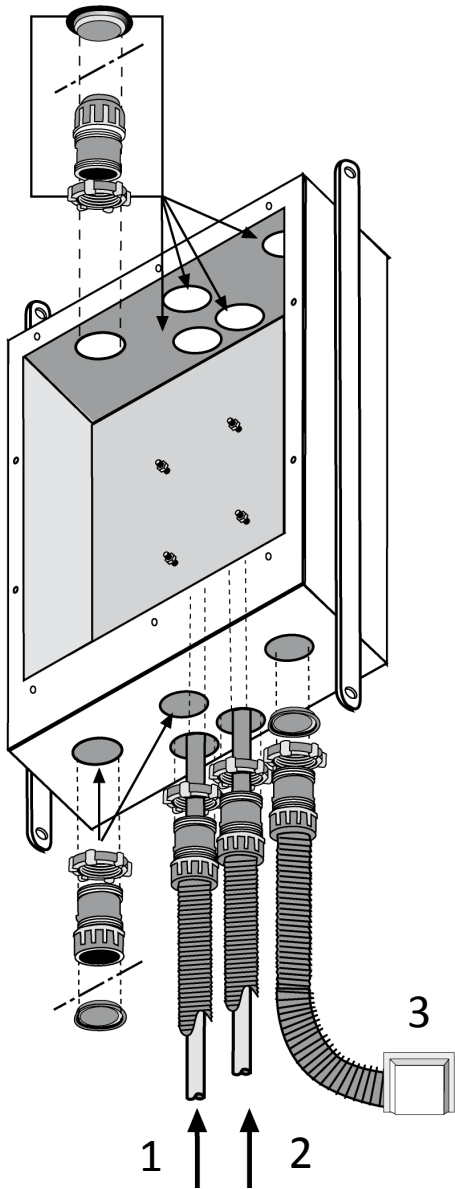


- |                              |                                       |
|------------------------------|---------------------------------------|
| 1. Casing                    | 6. Waterproofing agent                |
| 2. Water pipe                | 7. Expansion joint reinforcement tape |
| 3. Faucet body mounting bolt | 8. Gasket tape                        |
| 4. Wall surface material     | 9. Service hatch                      |
| 5. Mortar                    | 10. Front plate                       |

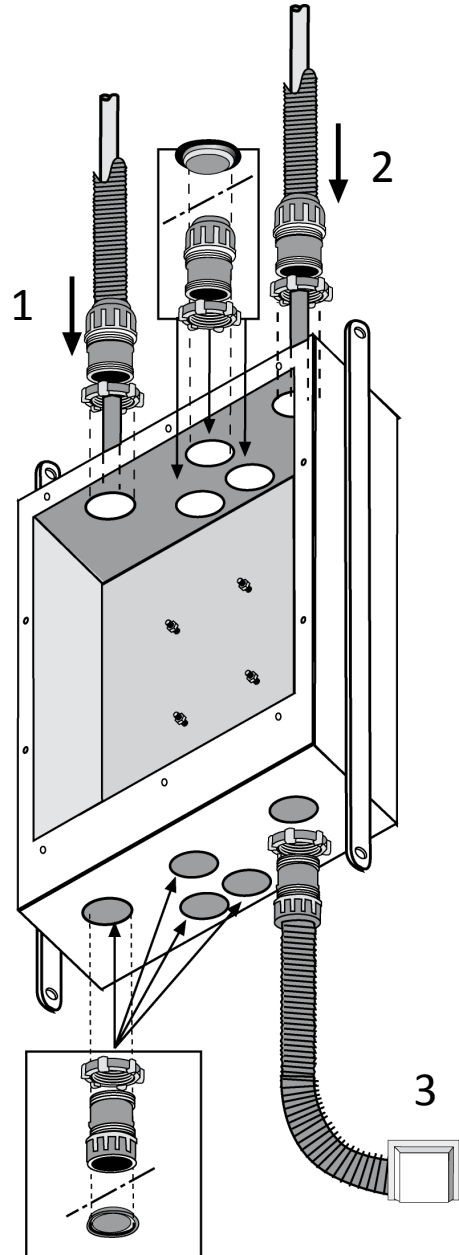
# BOX300 Installation instructions



## Connecting pipes from bottom



## Connecting pipes from top



1. Hot water
2. Cold water
3. Leakage indication